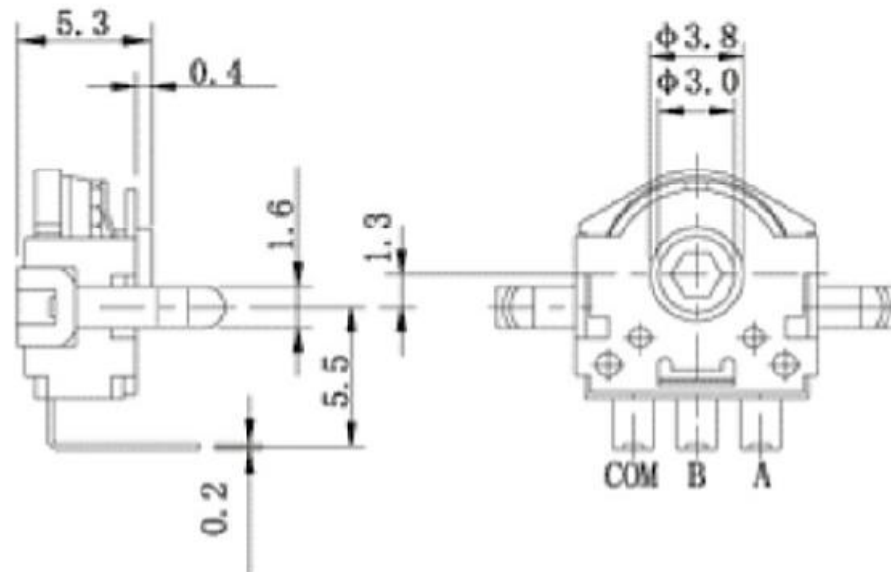
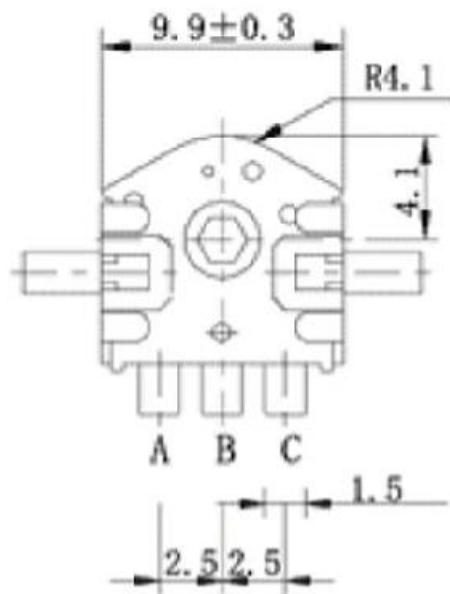
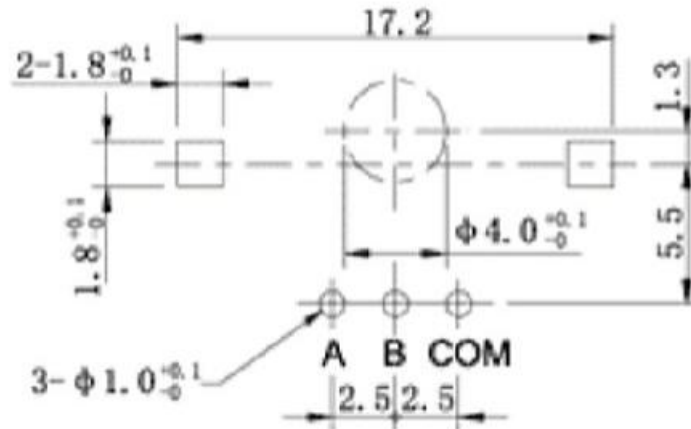
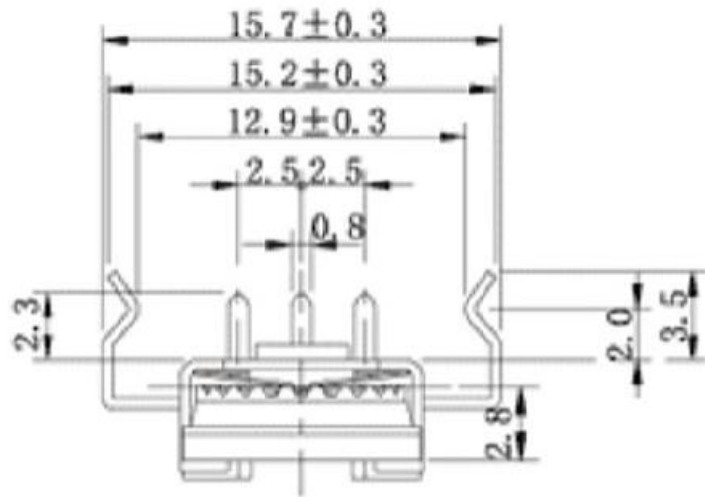


P.C.B. mounting hole detail



SPECIFICATIONS

1. Rating : DC 10V , 1 mA Max ;
2. Circuit : 1C - 1P ;
3. Operating force : 25 ±10 gf ;
4. Contact resistance : 100 mΩ Max ;
5. Travel : 0.25 ± 0.1 mm ;
6. Life : 150,000 Cycles Min °
(each upright and opposite roate)



东莞市高迪电子有限公司

Dong Guan KDRR Electronic Switch Jack Co., Ltd.

TOLERANCE UNLESS
OTHERWISE STATED :

Up to 5 ±0.2
Above 5 - 15 ±0.3
Above 15 - 30 ±0.4
Above 30 - 50 ±0.5
Angle ±0.3

3RD.
ANGEL'S



UNITS

MM

DRAWN BY:
Frank Wu
CHECKED BY:
Jacky Chen
APPROVED BY:
Tony Kao

DATE
10/17/11
DATE
10/17/11
DATE
10/17/11

MAT'L
FINISH
SCALE

TITLE
ENCODER
MODLE
ENCODER
DWG NO.
K50-A
PART NO.
K50-A

SIZE
A4
VER
A

ITEM NO. DESCRIPTION DRAWN DATE

A B C D E F G H I J